

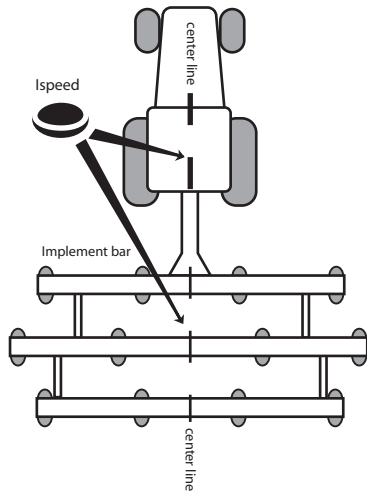
INSTALLATION INSTRUCTIONS



ISPEED™ SENSOR PRODUCT INFORMATION SHEET

CAUTION

Power off any consoles, tractors, or other devices before installing, moving, or plugging in the Ispeed™ sensor. Failure to do so may cause damage to the Ispeed sensor.



To ensure an accurate speed output signal, the Ispeed™ sensor must be mounted in a location where it will have an unobstructed view to the sky. The Ispeed™ should be mounted on either the center line of the vehicle cab or center line of the implement tool bar.

A 3.5" mounting disc is provided for convenience of mounting the Ispeed™ on fiberglass, plastic, stainless steel (non magnetic) surfaces. It is not required for proper operation of the Ispeed™ sensor.

After determining the mounting location, remove the protective coating from one side of the adhesive pad and adhere it to the 3.5" metal disc (if required). Mount the metal disc in the desired location. The Ispeed™ sensor has a magnet located in the base of the sensor. Place this side of the sensor so it will mount in the center of the 3.5" disc.

A ground speed calibration is not required when using the Ispeed™ sensor as the output signal is a predetermined 28.65 pulse per foot traveled. Following are the calculated ground speed constants to enter into various DICKEY-john products.

DICKEY-john Product Ground Speed Calibration Number

NOTE: Upon initial power up of any of the consoles listed above, the Ispeed will take 5 minutes to acquire satellites before it outputs a ground speed signal. This requires a clear, unobstructed view of the sky. When used on a daily to weekly basis, the typical start-up time is 60-90 seconds.

CCS100 and CMS100	5730
Land Manager SE, I, II	5730
PM300,400,500	5730
PM3000	1950 - requires adapter cable
SC1000	1950
GC1000	1950
Seed Manager & Seed Manager SE	5730
Seed Check	5730
TSM10	5730
Control Point	151272
ICS2000	151272
Computer Trak Series	5730

In the event the ground speed readout on the device connected to the Ispeed™ sensor is incorrect, perform the ground speed calibration procedure as described in the operators manual of the device being used.

INSTALLATION INSTRUCTIONS

